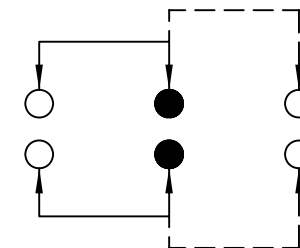
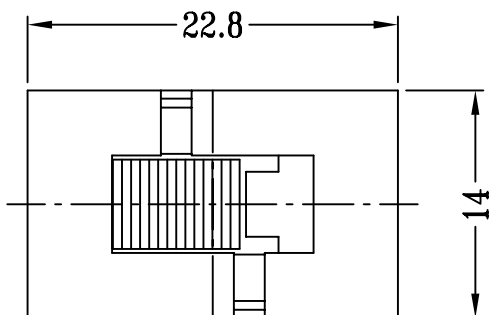
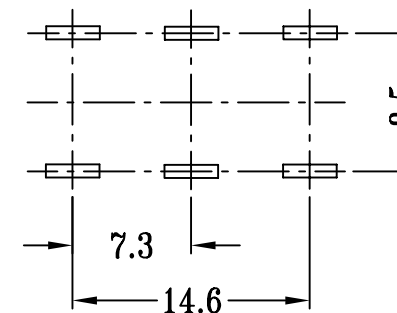
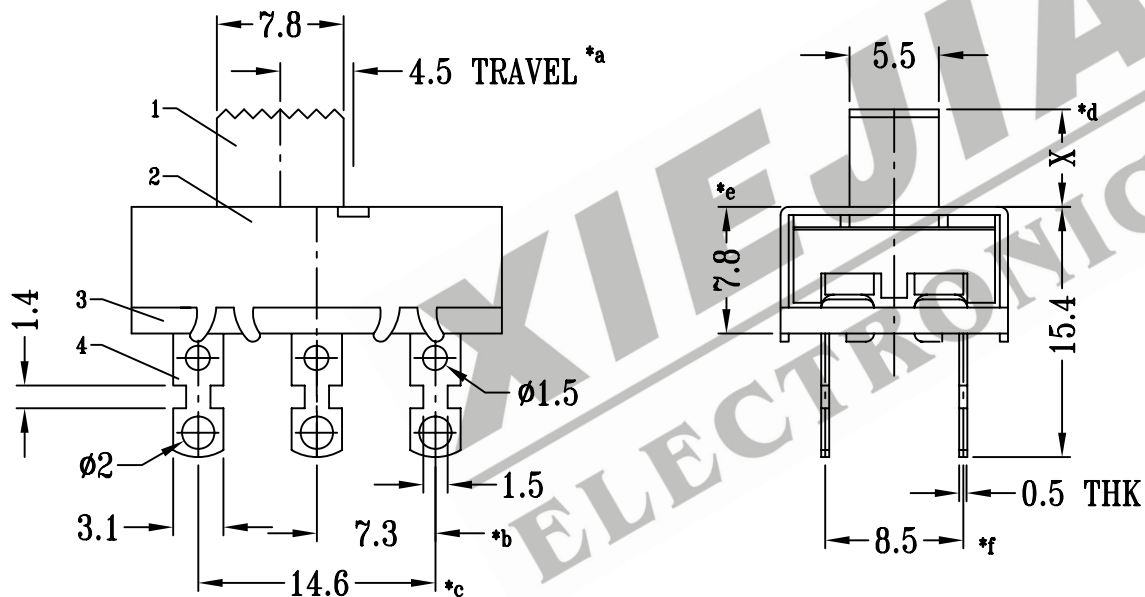


CAD FILE:



SCHEMATIC (NON-SHORTING)



P.C.B LAYOUT

注:带"*"表示关键尺寸(6个)

NO.	PART NAME	MATERIAL	QTY	FINISHING	TOLERANCE UNLESS SPECIFIED	SHENZHEN XIEJIA ELECTRONICS CO.,LTD.					
8											
7	SPRING PLATE	PBS STRIP	1	NATURAL							
6	SPRING PLATE	PBS STRIP	2	NATURAL	WITHIN: 1.5±0.1mm OVER: 1.5±0.2mm						
5	CONTACT CLIP	COPPER STRIP	2	Ag PLATED		ISSUE	DATE	DESCRIPTIONS		APPD	
4	TERMINAL	COPPER STRIP	6	Ag PLATED OVER Ni PLATED		TITLE: VERTICAL SLIDE SWITCH		UNIT : MM	DRWG NO.: XJ-DR-SS22I28-00		
3	TERMINAL BASE	PHENOLIC RESIN	1	BLACK		MODEL: SS-22I28		SCALE: 2:1	DWN	ZHOUYU	2006-4-22
2	FRAME	STEEL STRIP	1	Zn PLATED					CHK'D	FANGYING	2006-4-22
1	KNOB	PC	1	BLACK					APPD	KANGXINAN	2006-4-22
					ALL MATERIALS MUST BE COMPLIANT TO ROHS						